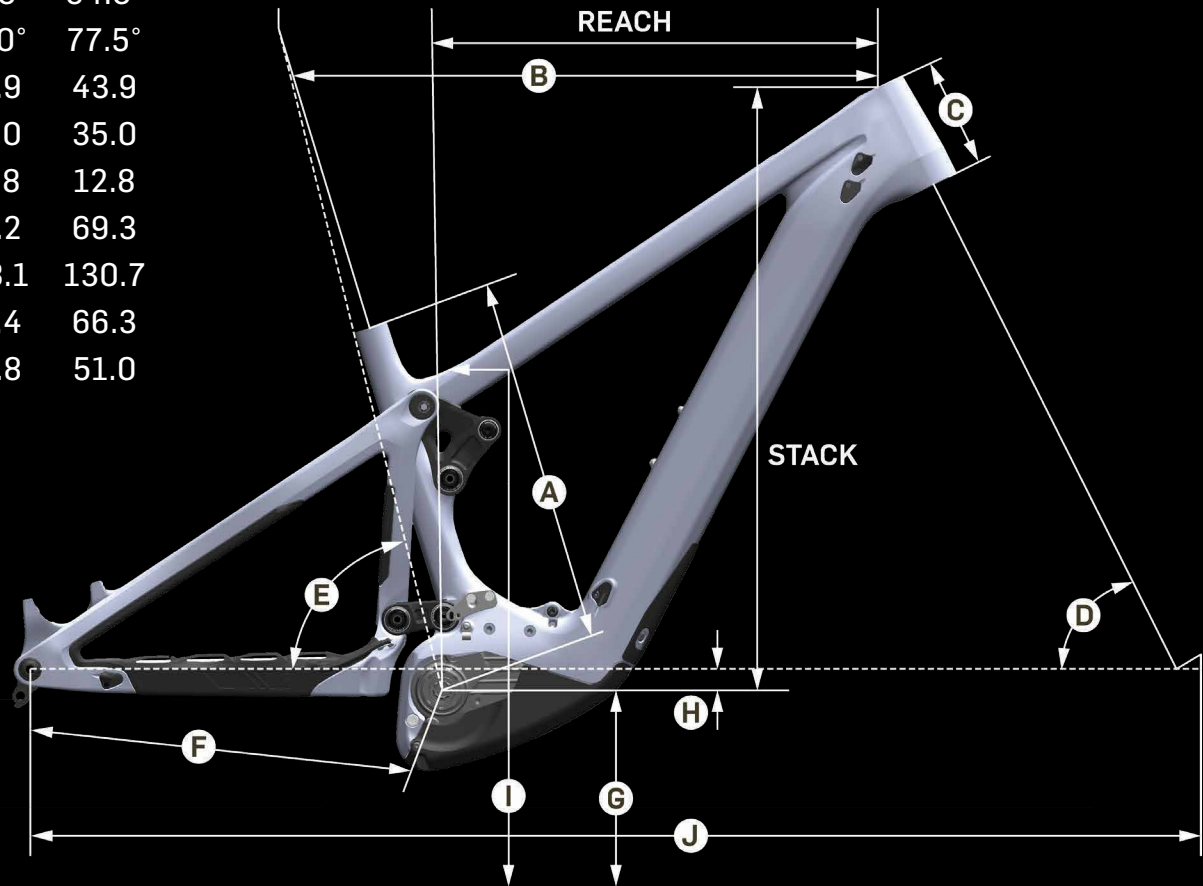


Rear Tire 27.5" X 2.6

SIZES (HIGH)	SM	MD	LG	XL
A Seat Tube Length (C-T)	37.0	40.0	43.0	47.0
B Top Tube Length (Eff.)	60.5	63.0	65.0	66.9
C Head Tube Length	11.0	12.0	13.0	14.0
D Head Tube Angle	64.0°	64.0°	64.0°	64.0°
*E Seat Tube Angle (Eff.)	76.5°	76.5°	77.0°	77.5°
F Chain Stay Length	43.9	43.9	43.9	43.9
G Bottom Bracket Height	35.0	35.0	35.0	35.0
H Bottom Bracket Drop	12.7	12.7	12.8	12.8
I Standover Height	68.6	69.0	69.2	69.3
J Wheelbase	123.0	125.6	128.1	130.7
Stack	63.6	64.5	65.4	66.3
Reach	44.5	46.8	48.8	51.0



*Effective seat tube angles are calculated at an average saddle height for each size frame.